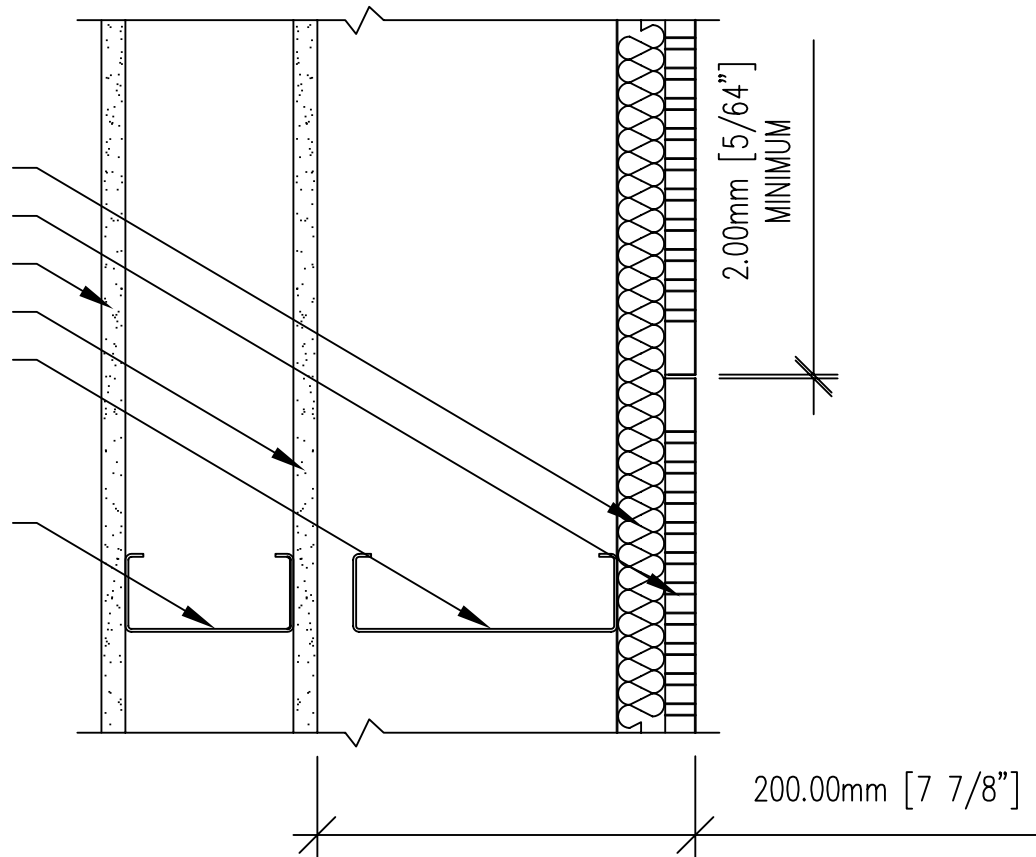


1" BLACK GLASS FIBER (3PCF) BETWEEN BLOCKING
 17MM (43/64") TOPPERFO PANEL (TYP.)
 1/2" DRYWALL
 1/2" DRYWALL
 METAL FRAMING

METAL FRAMING



W17 TOPPERFO WALL PANEL 200MM SYSTEM PLAN
 3" = 1'

REV. A 11/07/03



Title: TOPPERFO WALL PANEL 200MM
 SYSTEM FIRING PLAN DETAIL W17

Proj:

Date: 11/07/03

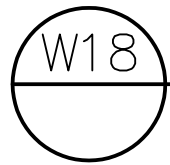
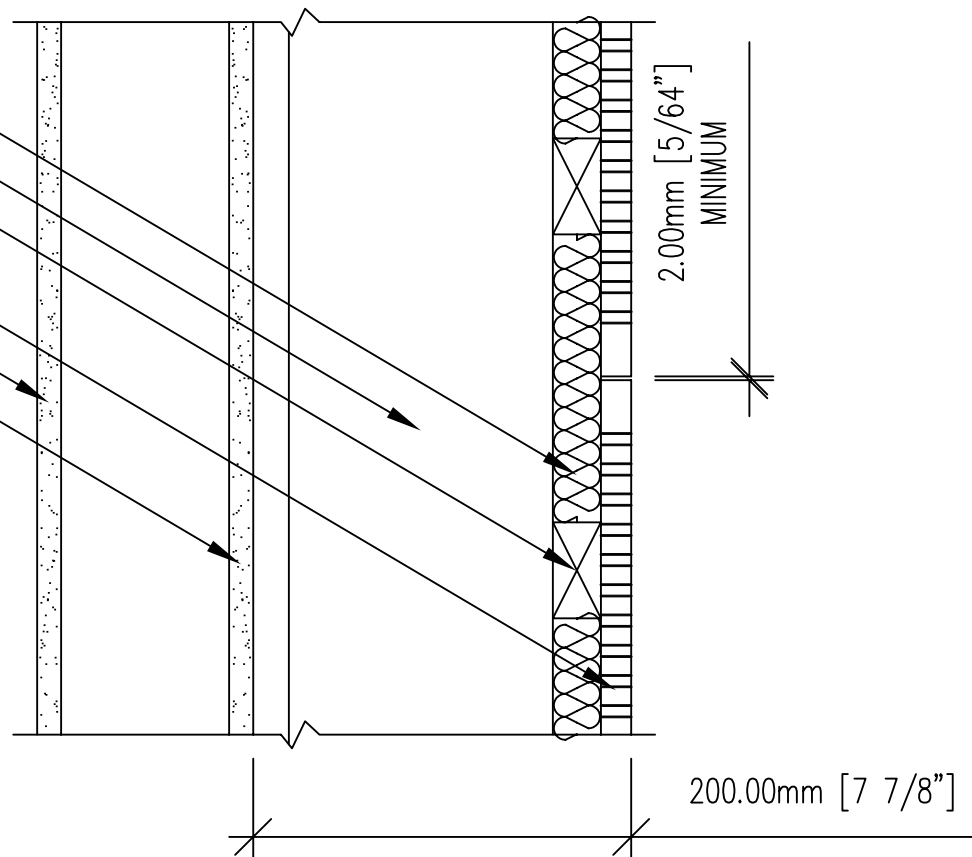
By: T.S

Scale: 1:1

Comments:

Path: K:\ENGINEERING\CAD FILES\Product\TOP\Topperfo\Walls\Panels (Modular)\Architectural Details\W17 & W18.dxf

1" BLACK GLASS FIBER (3PCF) BETWEEN BLOCKING
 METAL FRAMING
 BLOCKING
 17MM (43/64") TOPPERFO PANEL (TYP.)
 1/2" DRYWALL
 1/2" DRYWALL



TOPPERFO WALL PANEL 200MM SYSTEM SECTION

3" = 1'

REV. A 11/07/03



Title: TOPPERFO WALL 200MM SYSTEM FIRING SECTION DETAIL W18

Proj: _____

Date: 11/07/03 By: TJS Scale: 1:1

Path: K:\ENGINEERING\CAD FILES\Product\TOP\Topperfo\Walls\Panels (Modular)\Architectural Details\W17 & W18.dxf

Comments:
